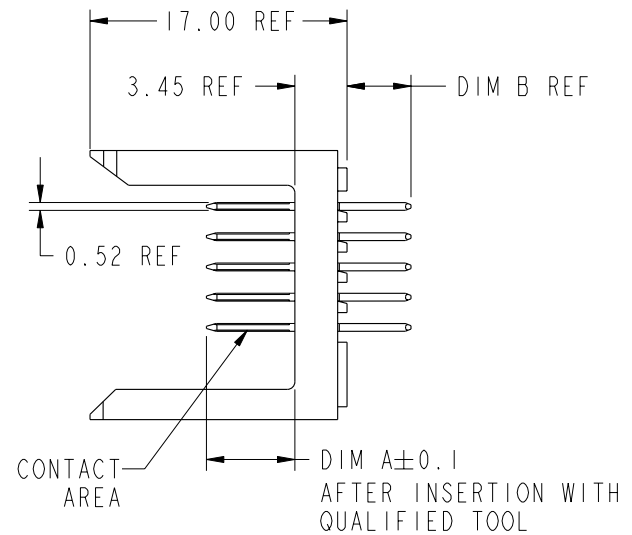
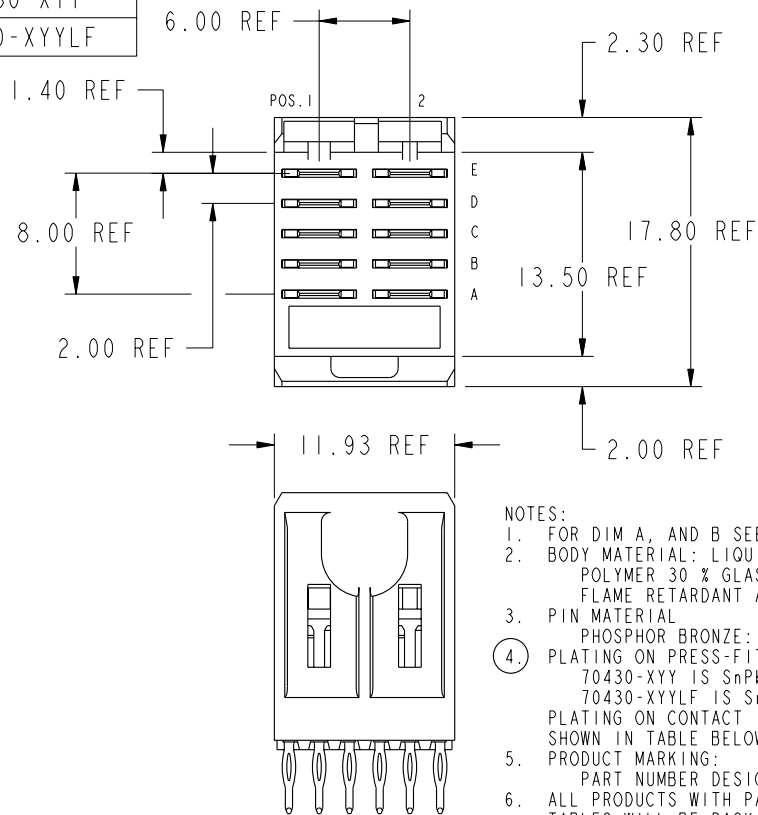


PRODUCT NUMBER
70430-XY Y
70430-XY YLF



NOTES:

- FOR DIM A, AND B SEE SHEET 2 AND UP.
- BODY MATERIAL: LIQUID CRYSTAL POLYMER 30 % GLASS. FLAME RETARDANT ACC. UL 94-V0.
- PIN MATERIAL: PHOSPHOR BRONZE.
- PLATING ON PRESS-FIT TAIL:
70430-XY Y IS SnPb
70430-XY YLF IS Sn (LEAD FREE)
PLATING ON CONTACT AREA CONFORMS TO PERFORMANCE LEVEL SHOWN IN TABLE BELOW.
- PRODUCT MARKING:
PART NUMBER DESIGNATION J & BATCH I.D.
- ALL PRODUCTS WITH PART NUMBERS SHOWN IN SUBSEQUENT TABLES WILL BE PACKAGED IN TUBES. IF TRAY PACKAGING IS REQUIRED, SUFFIX "P" WILL BE ADDED TO THE END OF THE PART NUMBER. EXAMPLE: XXXX-XXXP
- PRODUCT SPECIFICATION: GS-12-180
APPLICATION SPECIFICATION: BUS-20-075
- THE PRODUCTS WHERE THE PART NUMBER ENDS IN 'LF' MEETS THE EUROPEAN UNION DIRECTIVES AND OTHER COUNTRY REGULATIONS AS DESCRIBED IN GS-22-008.
- ALL PRODUCTS WILL WITHSTAND EXPOSURE TO 260°C FOR 60 SECONDS IN A CONVECTION, INFRA-RED OR VAPOR PHASE REFLOW OVEN.

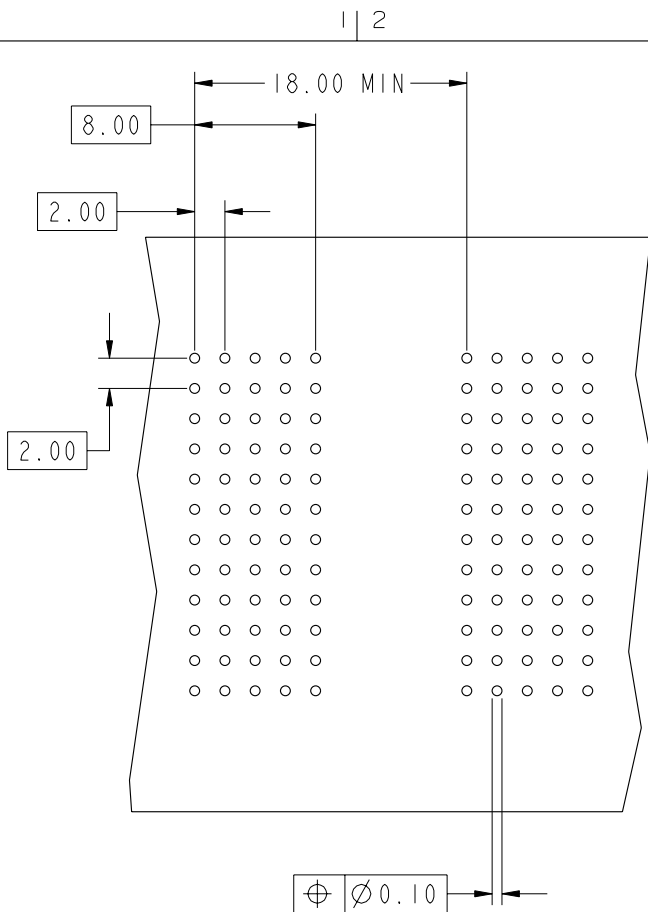
PLATING IN CONTACT AREA	
DASH NUMBER	PERFORMANCE LEVEL
-1YY	TELCORDIA CO & IEC CLASS I
-2YY	TELECOM CLASS
-3YY	TELCORDIA CO & IEC CLASS I
-5YY	TELCORDIA UE
-9YY	TELCORDIA CO & IEC CLASS I
-1YYLF	TELCORDIA CO & IEC CLASS I
-2YYLF	TELECOM CLASS
-5YYLF	TELCORDIA UE

mat'l code		SEE NOTES		tolerances unless otherwise specified		CUSTOMER		FCI		www.fciconnect.com	
ltr	ecn no.	dr	date	linear	0.X ±0.3	COPY		title METRAL POWER HEADER 1 MOD, 5 ROW PRESS-FIT			
AN	V06-0498	DCH	2006-06-02		0.XX ±0.13	projection					
AP	V06-0671	DCH	2006-07-13		.XXX ±.051	MM					
AR	V06-0948	DCH	2006-09-12	angles	0° ±2°						
-		-	-	dr	T.BRUNGARD	01/26/00	product family		METRAL	code	
AK	V04-0283	DAI	04/05/04	engr	M.STRAWSER	01/26/00	size		dwg no	213	
AL	V05-0090	TAB	01/24/05	chr	M.STRAWSER	01/26/00	scale		A	70430	sheet
AM	V05-0684	DAI	07/22/05	appd	M.STRAWSER	02/29/00	2:1				1 of 5
sheet	revision	AR	AR	AR	AR	AR	cage code		22526		
index	sheet	1	2	3	4	5					

This document is the property of and embodies CONFIDENTIAL and PROPRIETARY information of FCI. No part of the information shown on this document may be used in any way or disclosed to others without the written consent of FCI. Copyright FCI.



This document is the property of and embodies
 CONFIDENTIAL and PROPRIETARY information of FCI.
 No part of the information shown on this
 document may be used in any way or disclosed
 to others without the written consent of FCI.
 Copyright FCI.



REQUIRED PC BOARD LAYOUT
 COMPONENT SIDE
 SEE PRINT 58351 FOR
 ADDITIONAL PCB INFORMATION

KEY		
CODE	DIMENSIONS	
	DIM "A" MATE	DIM "B" TAIL
P01	6.50	4.30
P02	7.25	4.30
P03	8.00	4.30
P04	6.50	13.60
P05	7.25	13.60
P06	8.00	13.60
P11	7.25	12.20
P12	8.00	12.20
P16	5.00	4.30
P17	5.75	4.30
P29	7.25	11.80

mat'l code		--		tolerances unless otherwise specified		CUSTOMER		 www.fciconnect.com	
ltr	ecm no.	dr	date	linear	0.X ±0.3	projection	COPY		
AR					0.XX ±0.13		title		
				angles	.XXX ±.051		METRAL POWER HEADER		
				dr	0° ±2°	scale	product family		code
				engr	T.BRUNGARD 01/26/00	2:1	METRAL		213
				chr	M.STRAWSER 01/26/00		size	dwg no	sheet
				appd	M.STRAWSER 02/29/00		A	70430	2
sheet index	revision sheet								

cage code 22526 4

Pro/E

PDM: Rev:AR

STATUS: **Released**

Printed: Nov 13, 2007

This document is the property of and embodies CONFIDENTIAL and PROPRIETARY information of FCJ. No part of the information shown on this document may be used in any way or disclosed to others without the written consent of FCJ. Copyright FCJ.



1 2				3				4														
METRAL P/N	ROW	CONTACT CODE MOD. 1		METRAL P/N	ROW	CONTACT CODE MOD. 1		METRAL P/N	ROW	CONTACT CODE MOD. 1		METRAL P/N	ROW	CONTACT CODE MOD. 1								
		1	2			1	2			1	2			1	2							
70430-X01 SEE NOTE 4 FOR LEAD-FREE CODE	E	-	-	70430-X05 SEE NOTE 4 FOR LEAD-FREE CODE	E	P03	P01	70430-X09 SEE NOTE 4 FOR LEAD-FREE CODE	E	P02	P01	70430-X13 SEE NOTE 4 FOR LEAD-FREE CODE	E	P01	P02	70430-X17 SEE NOTE 4 FOR LEAD-FREE CODE	E	P03	P03			
	D	P03	P03		D	P03	P01		D	P02	P01		D	P01	P02		D	P03	P03			
	C	P02	P02		C	P03	P01		C	P02	P01		C	P03	P03		C	-	-	C	-	-
	B	P01	P01		B	P03	P01		B	P02	P01		B	P03	P03		B	P03	P03	B	P03	P03
	A	P03	P03		A	P03	P01		A	P02	P01		A	P03	P03		A	P03	P03	A	P03	P03
70430-X02 SEE NOTE 4 FOR LEAD-FREE CODE	E	P01	P01	70430-X06 SEE NOTE 4 FOR LEAD-FREE CODE	E	P03	P03	70430-X10 SEE NOTE 4 FOR LEAD-FREE CODE	E	P01	P01	70430-X14 SEE NOTE 4 FOR LEAD-FREE CODE	E	P01	P01	70430-X18 SEE NOTE 4 FOR LEAD-FREE CODE	E	P01	P02			
	D	P02	P02		D	P02	P02		D	P01	P01		D	P01	P01		D	P01	P02			
	C	P03	P03		C	P01	P01		C	P02	P02		C	-	-		C	P01	P02			
	B	-	-		B	-	-		B	P03	P03		B	P02	P03		B	P01	P02			
	A	P03	P03		A	P03	P03		A	-	-		A	P02	P02		A	P01	P02			
70430-X03 SEE NOTE 4 FOR LEAD-FREE CODE	E	P02	P01	70430-X07 SEE NOTE 4 FOR LEAD-FREE CODE	E	P01	P01	70430-X11 SEE NOTE 4 FOR LEAD-FREE CODE	E	P02	P03	70430-X15 SEE NOTE 4 FOR LEAD-FREE CODE	E	P06	P05	70430-X19 SEE NOTE 4 FOR LEAD-FREE CODE	E	P02	P02			
	D	-	-		D	-	-		D	P02	P03		D	P06	P05		D	P01	P02			
	C	P01	P01		C	-	-		C	P03	P03		C	P06	P05		C	P01	P02			
	B	P01	P01		B	-	-		B	P03	P03		B	P06	P05		B	P01	P02			
	A	P01	P01		A	P01	P01		A	P03	P03		A	P06	P05		A	P02	P02			
70430-X04 SEE NOTE 4 FOR LEAD-FREE CODE	E	P02	P01	70430-X08 SEE NOTE 4 FOR LEAD-FREE CODE	E	P03	P02	70430-X12 SEE NOTE 4 FOR LEAD-FREE CODE	E	P02	P03	70430-X16 SEE NOTE 4 FOR LEAD-FREE CODE	E	P03	P02	70430-X20 SEE NOTE 4 FOR LEAD-FREE CODE	E	P05	P05			
	D	P03	P03		D	-	-		D	P02	P03		D	P03	P02		D	P05	P05			
	C	-	-		C	P03	P02		C	P02	P03		C	P03	P02		C	P05	P05			
	B	P01	P01		B	-	-		B	P02	P03		B	P03	P02		B	P05	P05			
	A	P03	P03		A	P03	P02		A	P02	P03		A	P03	P02		A	P06	P06			

mat'l code				tolerances unless otherwise specified				CUSTOMER		FCJ		www.fcjconnect.com	
ltr	ecn no.	dr	date	linear	0.X ±0.3		COPY		title				
AR				angles	0.XX ±0.13		projection		METRAL POWER HEADER				
					.XXX ±.051				1 MOD, 5 ROW PRESS-FIT				
				dr	T.BRUNGARD	01/26/00			product family		code		
				engr	M.STRAWSER	01/26/00	MM		METRAL		213		
				chr	M.STRAWSER	01/26/00			size		sheet		
				appd	M.STRAWSER	02/29/00	2:1		A		3		
sheet index		revision sheet											



This document is the property of and embodies CONFIDENTIAL and PROPRIETARY information of FCI. No part of the information shown on this document may be used in any way or disclosed to others without the written consent of FCI. Copyright FCI.

1 2				3				4														
METRAL P/N	ROW	CONTACT CODE MOD. 1		METRAL P/N	ROW	CONTACT CODE MOD. 1		METRAL P/N	ROW	CONTACT CODE MOD. 1		METRAL P/N	ROW	CONTACT CODE MOD. 1								
		1	2			1	2			1	2			1	2							
70430-X21 SEE NOTE 4 FOR LEAD-FREE CODE	E	P02	P02	70430-X25 SEE NOTE 4 FOR LEAD-FREE CODE	E	P04	P06	70430-X29 SEE NOTE 4 FOR LEAD-FREE CODE	E	P04	P05	70430-X33 SEE NOTE 4 FOR LEAD-FREE CODE	E	P02	-	70430-X37 SEE NOTE 4 FOR LEAD-FREE CODE	E	P01	P02			
	D	P02	P02		D	P04	P06		D	P05	P05		D	P02	-		D	P01	P01			
	C	P02	P02		C	P04	P06		C	P05	P05		C	P02	-		C	P02	P02	C	P02	P02
	B	P02	P02		B	P04	P06		B	P05	P05		B	P02	-		B	P01	P01	B	P01	P01
	A	P03	P03		A	P04	P06		A	P05	P05		A	P02	-		A	P02	P02	A	P02	P02
70430-X22 SEE NOTE 4 FOR LEAD-FREE CODE	E	P06	P06	70430-X26 SEE NOTE 4 FOR LEAD-FREE CODE	E	P03	P03	70430-X30 SEE NOTE 4 FOR LEAD-FREE CODE	E	P01	P02	70430-X34 SEE NOTE 4 FOR LEAD-FREE CODE	E	P02	-	70430-X38 SEE NOTE 4 FOR LEAD-FREE CODE	E	P02	P02			
	D	P06	P06		D	P02	P02		D	-	P01		D	-	P01		D	P01	P01			
	C	P06	P05		C	P01	P01		C	P02	P02		C	P02	-		C	P02	P01	C	P02	P01
	B	P06	P05		B	-	-		B	P02	P02		B	-	P01		B	P01	P02	B	P01	P02
	A	P06	P06		A	P03	-		A	P02	P02		A	P02	-		A	P02	P01	A	P02	P01
70430-X23 SEE NOTE 4 FOR LEAD-FREE CODE	E	P03	P03	70430-X27 SEE NOTE 4 FOR LEAD-FREE CODE	E	P06	P04	70430-X31 SEE NOTE 4 FOR LEAD-FREE CODE	E	P01	P01	70430-X35 SEE NOTE 4 FOR LEAD-FREE CODE	E	P01	P02	70430-X39 SEE NOTE 4 FOR LEAD-FREE CODE	E	P01	P17			
	D	P03	P03		D	P06	P06		D	P01	P01		D	P02	P01		D	P01	P17			
	C	P03	P02		C	P06	P06		C	P01	P01		C	P01	P02		C	P01	P17			
	B	P03	P02		B	P06	P06		B	P03	P01		B	P01	P01		B	P01	P17			
	A	P03	P03		A	P06	P06		A	P03	P01		A	P02	P01		A	P01	P17			
70430-X24 SEE NOTE 4 FOR LEAD-FREE CODE	E	P01	P03	70430-X28 SEE NOTE 4 FOR LEAD-FREE CODE	E	P03	P01	70430-X32 SEE NOTE 4 FOR LEAD-FREE CODE	E	P05	P06	70430-X36 SEE NOTE 4 FOR LEAD-FREE CODE	E	P01	P02	70430-X40 SEE NOTE 4 FOR LEAD-FREE CODE	E	P03	P01			
	D	P01	P03		D	P03	P03		D	P05	P06		D	P02	P01		D	P03	P03			
	C	P01	P03		C	P03	P03		C	P05	P06		C	P01	P02		C	P03	P03			
	B	P01	P03		B	P03	P03		B	P05	P06		B	P01	P01		B	P03	P03			
	A	P01	P03		A	P03	P03		A	P05	P06		A	P02	P02		A	P03	P03			

mat'l code				tolerances unless otherwise specified		CUSTOMER		FCI		www.fciconnect.com	
ltr	ecn no.	dr	date	linear	0.X ±0.3	COPY		projection		title	
AR				angles	0.XX ±0.13	MM				METRAL POWER HEADER 1 MOD, 5 ROW PRESS-FIT	
				dr	.XXX ±.051	scale		product family		code	
				engr	0° ±2°	1:1		METRAL		213	
				chr	T.BRUNGARD 01/26/00			size		sheet	
				appd	M.STRAWSER 01/26/00			70430		4	
					M.STRAWSER 01/26/00			A			
					M.STRAWSER 02/29/00						
sheet index	revision										
	sheet										



This document is the property of and embodies CONFIDENTIAL and PROPRIETARY information of FCI. No part of the information shown on this document may be used in any way or disclosed to others without the written consent of FCI. Copyright FCI.

METRAL P/N	ROW	CONTACT CODE MOD. 1		METRAL P/N	ROW	CONTACT CODE MOD. 1		METRAL P/N	ROW	CONTACT CODE MOD. 1		METRAL P/N	ROW	CONTACT CODE MOD. 1					
		1	2			1	2			1	2			1	2				
70430-X41 SEE NOTE 4 FOR LEAD-FREE CODE	E	P06	P04	70430-X45 SEE NOTE 4 FOR LEAD-FREE CODE	E	P02	P01	70430-X49 SEE NOTE 4 FOR LEAD-FREE CODE	E	P02	P01	70430-X53 SEE NOTE 4 FOR LEAD-FREE CODE	E	P05	P06	70430-X57 SEE NOTE 4 FOR LEAD-FREE CODE	E	P016	P01
	D	P06	P06		D	P03	P03		D	P02	P01		D	P12	P06		D	P016	P01
	C	P06	P06		C	-	-		C	P02	P01		C	P12	P06		C	P016	P01
	B	P06	P06		B	P03	P03		B	P02	P02		B	P12	P06		B	P016	P01
	A	P06	P06		A	P03	P03		A	P02	P02		A	P12	P06		A	P016	P01
70430-X42 SEE NOTE 4 FOR LEAD-FREE CODE	E	P01	P02	70430-X46 SEE NOTE 4 FOR LEAD-FREE CODE	E	P03	P01	70430-X50 SEE NOTE 4 FOR LEAD-FREE CODE	E	P02	P02	70430-X54 SEE NOTE 4 FOR LEAD-FREE CODE	E	P05	P06	70430-X58 SEE NOTE 4 FOR LEAD-FREE CODE	E	P01	P02
	D	P02	P02		D	P01	P03		D	P02	P02		D	P11	P06		D	P01	P02
	C	P02	P02		C	P03	P01		C	P01	P02		C	P11	P06		C	P01	P02
	B	P02	P02		B	P01	P03		B	P01	P02		B	P11	P06		B	P01	P16
	A	P02	P02		A	P03	P01		A	P01	P02		A	P11	P06		A	P01	P02
70430-X43 SEE NOTE 4 FOR LEAD-FREE CODE	E	P04	P05	70430-X47 SEE NOTE 4 FOR LEAD-FREE CODE	E	P01	P03	70430-X51 SEE NOTE 4 FOR LEAD-FREE CODE	E	P02	P01	70430-X55 SEE NOTE 4 FOR LEAD-FREE CODE	E	P05	P06	70430-X59 SEE NOTE 4 FOR LEAD-FREE CODE	E	P17	P17
	D	P05	P05		D	P03	P03		D	P03	P03		D	P29	P06		D	P17	P17
	C	P05	P05		C	P01	P03		C	-	-		C	P29	P06		C	P17	P17
	B	P05	P05		B	P03	P01		B	P01	P01		B	P29	P06		B	P17	P01
	A	P05	P05		A	P01	P03		A	P03	P03		A	P29	P06		A	P17	P01
70430-X44 SEE NOTE 4 FOR LEAD-FREE CODE	E	P03	P03	70430-X48 SEE NOTE 4 FOR LEAD-FREE CODE	E	P01	P03	70430-X52 SEE NOTE 4 FOR LEAD-FREE CODE	E	P11	P06	70430-X56 SEE NOTE 4 FOR LEAD-FREE CODE	E	P01	P01	70430-X59 SEE NOTE 4 FOR LEAD-FREE CODE	E	P01	P01
	D	P02	P02		D	P03	P02		D	P11	P06		D	P01	P01		D	P01	P01
	C	P16	P16		C	P01	P03		C	P11	P06		C	P01	P05		C	P01	P05
	B	-	-		B	P01	P02		B	P11	P06		B	P09	P09		B	P09	P09
	A	P03	-		A	P01	P02		A	P11	P06		A	P09	P09		A	P09	P09

mat'l code				tolerances unless otherwise specified		CUSTOMER		www.fciconnect.com			
ltr	ecn no.	dr	date	linear	0.X ±0.3	COPY			title METRAL POWER HEADER 1 MOD, 5 ROW PRESS-FIT		
AR					0.XX ±0.13	projection					
					.XXX ±.051						
				angles	0° ±2°			product family METRAL	code 213		
				dr	T.BRUNGARD	01/26/00	size MM			size 70430	sheet 5
				engr	M.STRAWSER	01/26/00					
				chr	M.STRAWSER	01/26/00					
				appd	M.STRAWSER	02/29/00	scale 1:1		A		
sheet index	revision sheet										